

## **Review on Predictive Model for Device Identification Using Machine Learning Algorithm**

Priya S. Khaire<sup>1</sup>, Assi. Prof. Sunil V. Kuntawar<sup>2</sup>

<sup>1</sup>Department of Electronics and Communication, Ballarpur Institute of Technology Ballarpur, India

<sup>2</sup>Department of Electronics and Communication, Ballarpur Institute of Technology Ballarpur, India

Corresponding Author: Priya S. Khaire

---

**Abstract:** *The current power age sources are unfit to meet the hyper heightening power request. Normal arrangement is to put in new age plants to fulfill the power request which it isn't financially savvy. A shoddy and compelling arrangement is to screen every one of the apparatuses running inside a structure and to utilize them efficiently. Non-intrusive load monitoring (NILM) is one of the conservative procedures to distinguish the machines based on their novel burden marks. In this paper, an AI based method is exhibited to recognize the gadgets for observing purposes. A minimal effort equipment setup, called Appliance Identification and Management System (AIMS) is created to recognize and control the machines remotely. The machine identification calculation is created in Python and sent on Raspberry Pi, combined with Arduino. The equipment setup outfits customers with the constant status of every home apparatus on their cell phone and web server. Controlling module is likewise coordinated with the identification equipment to give keen access to buyer to the remote control of home machines.*

**Keywords:** *NILM, AIMS. Raspberry Pi, Python, Real Time Monitoring*

---

Date of Submission: 20-05-2019

Date of acceptance: 05-06-2019

---

### **I. Introduction**

Present power age sources are not sufficient to fulfill the need of every single person. The hole between power free market activity can be limited by establishment of new power creation plants however it requires extensive time, income, and needs to look for components like natural contamination (global warming). Best and affordable answer for meet the power lack is its efficient use. Late inquires about have presumed that the arrangement of continuous machine vitality utilization status to the buyer persuades them towards efficient utilization of power; along these lines, lessening the general power bill and advancing the development of perfect and more beneficial condition. Apparatus identification is important to give a machine's vitality utilization data. Diverse techniques are proposed for this reason. Intrusive load monitoring (ILM) system identifies the machines with the assistance of committed sensors introduced with every apparatus. At whatever point a machine turns ON, this data is seen by the sensor and gave to the purchaser through some channel. This strategy is costly as it requires separate devoted sensors for every apparatus; in any case, utilization of discrete sensors makes it increasingly exact. Non-Intrusive load monitoring (NILM) method requires a solitary detecting point and with the assistance of disaggregation calculation, distinctive machines can be identified. NILM is a practical strategy as it requires just a solitary detecting point rather than various keen attachments or committed sheets. This strategy depends on the way that every apparatus demonstrates specific electrical marks when it turns ON or

OFF; hence, enabling us to recognize it. In this work, we built up an equipment gathering to quantify the accumulated electrical parameters and with the assistance of disaggregation calculation; change in electrical parameters (event) is recorded and passed on to AI calculation. We used two classifiers to be specific k-NN and random forest (RF) to distinguish the apparatuses. Each classifier identifies the machine by contrasting the change in electrical parameters and all the known highlights of various apparatuses recorded in the database. Based on condition of activity, house-hold machines can be classified into a couple of sorts like two state apparatuses, multi-state apparatuses, and continually fluctuating apparatuses. Apparatuses that show just two expresses, that is either ON or OFF, are two state machines for example electric knob. Multi-state machines have diverse dimensions of activities and finite dimensions of intensity utilization designs for example clothes washer and dishwasher. Consistently shifting machines don't draw steady power from power mains and show infinite working states and, accordingly, are very difficult to distinguish utilizing NILM methods.

## **II. Literature Review**

The interest for helpful vitality has expanded cosmically in the course of recent decades, particularly in structure division, because of fast advancement and improved way of life. The vitality execution of the structure is dependent on a few parameters like encompassing climate factors, building qualities and vitality utilization design. This writing features a component incorporating the Internet of Things (IoT) and some generally utilized AI calculations to make a prescient model that can be utilized for estimating of brilliant structure indoor temperature. This prescient model has been prepared with on-line learning system for creating feasibility to a totally new dataset. The paper does a Machine Learning put together experimentation with respect to recorded genuine sensor information to approve the methodology. Following that, the paper proposes reconciliation of following procedure into an Edge Computing based IoT design for empowering the structure to work in a vitality proficient style. We have displayed a methodology joining the IoT and Machine Learning components to anticipate shrewd structures indoor temperature. The forecast of indoor temperature lessens the general vitality utilization of the structure representing warming and cooling request, via naturally controlling these high vitality devouring gadgets over the system. It enables the client to successfully set his very own indoor temperature will or the calculation learns client decisions of indoor temperature and sets to that temperature naturally by our depicted technique. A higher level of mechanization with a sheltered and secure Edge Computing based IoT design is a novel expansion to the present writing. Our trials and results introduced in this work approve our methodology [1]

Ecological parameters like mugginess, temperature, precipitation, wind stream, light power, soil pH are principle factors for accuracy horticulture. Changes in climate parameters like dampness, temperature, etc alongside the improper administration result into a lessening in harvest efficiency. In this way infection expectation is progressively essential to beat these issues. The continuous update will caution the rancher by demonstrating which crop is stuck in an unfortunate situation, so the costs on bug sprays, pesticides will lessen and in general financial state of ranchers will improve. The proposed framework gives more accentuation to anticipate ailments of the harvest with the utilization of the Internet of Things and AI calculations. Diverse sensors gather the continuous information of ecological parameters like temperature, moistness, precipitation, light force. Using these information, crop ailments are anticipated utilizing AI calculations. Such forecasts would caution the ranchers about yield maladies through instant message or internet browser. This work can be reached out later on to help ranchers in different ways like which compost can be utilized to beat this illness issue. This survey paper gives data about Machine Learning and IoT executions utilized for harvest infection expectations. The recorded papers portray diverse Machine Learning and IoT methods for Precision horticulture. However, the more dependable and modest framework has not been created. There is no

such technique is created to anticipate sicknesses of various yields which is anything but difficult to actualize, shabby and easy to utilize. Along these lines, the framework model recommends that 'forecast of yield sicknesses utilizing IoT and Machine learning' will execute proficiently. IoT system will help continuously information accumulation. AI calculations give increasingly exact expectations. The proposed work can likewise be stretch out to go about as guide for ranchers like, which compost can be utilized to defeat the malady issue and which crop is gainful to sow in these climate conditions [2].

For calculating accuracy we find the missed predictions in the confusing matrix which gives us the error rate and the accuracy of the classifier. Two algorithms for classification are being used VF - 15 algorithm, which is a feature interval based classifier, which creates classification intervals during training and use it to test the classifier gives an accuracy of 62% and Naive Bayes approach which is a Bayesian classification algorithm gives 50 % of accuracy while testing. We applied SVM and Logistic Regression which show considerable improvement over VF - 15 and Naive Bayes without any external weights provided. In the weighted VF - 15 the accuracy was comparable to SVM, but in SVM no external weights were provided as they were in the weighted VF - 15 using genetic algorithms. Using Logistic Regression and SVM we get an accuracy of 66 % and 68 % respectively, which shows an improvement in accuracy after using SVM. According to a cardiac surgeon, it is difficult to predict age from heart rate as it is nonlinear, but we can use a person's heart beat to predict whether that person is fit, unfit and overstrained or not, provided we have that person's age. Based on heart beat we can predict whether a person is in Stress or not. Stress is one of the main factors that are affecting millions of lives. Thus, it is important to inform the person about his unhealthy life style and even alarm him/her before any acute condition occurs. To detect the stress beforehand we have used heart beat rate as one of the parameters. Internet of Things (IoT) along with Machine Learning (ML) is used to alarm the situation when the person is in real risk. ML is used to predict the condition of the patient and IoT is used to communicate the patience about his/her acute stress condition [3].

In this paper, we proposed information pressure strategies by AI. Specifically, we have introduced a few procedures for packing and foreseeing huge measures of modern information. Thus, it is a productive information pressure technique to speak to information by direct relapse, use partition and overcome strategy, separate information by time, and use AI innovation utilizing Euclidean Distance in vanquish process. Likewise, with extra methods, we attempted to haphazardly choose an incentive around the range for overcome, however it was not influenced. Despite the fact that misfortune pressure can't be recouped as unique information, it is normal that future information is unsurprising by communicating mechanical information as a solitary condition through this procedure and using the inclination. Mechanical IoT creates huge information that is helpful for getting understanding from information investigation however putting away every one of the information is a weight. To determine it, we propose to pack the mechanical information utilizing neural system relapse into a delegate vector with lossy pressure. For effectiveness of the pressure, we utilize the gap and-vanquish strategy with the end goal that the mechanical information can be taken care of by the lump size of information. Through our tests, we check that mechanical information is spoken to by a capacity and anticipated with high exactness [4].

In this paper, we utilize the Lasso strategy to determine the factors firmly identified with the all out high - voltage electric power utilizing the PI factors created in the process part, and foresee the future electric power use by utilizing the inferred parameters in the LSTM model. Be that as it may, utilizing the objective incentive as the all-out high-voltage electric power, it was impractical to get a handle on the individual patterns of the more point by point electric intensity of certain procedures. PI information is communicated in the subtleties of the procedure, while the objective esteem, complete

high-voltage electric power, is inferred by coordinating the A procedure. The investigation bearing to go ahead is as per the following. Later on, before continuing with the procedure enhancement, we have to get a more intensive take a gander at the point by point procedure of the A procedure and partition the all-out electric power into the nitty gritty electric capacity to direct a more profound investigation. Furthermore, we have to perform affectability examination on the electric power got from the above element choice for each detail electric capacity to see which variable reacts generally delicately. At last, in light of field involvement, we will gather and collect progressively significant factors to make an increasingly refined model. In this paper, we apply the information collected through EIOT stage to AI strategy to discover noteworthy factors first and anticipate the electric power created in assembling process by utilizing these factors. Pre-preparing, for example, resampling of information was completed before the forecast. So as to choose the critical factors, 25 factors were inferred utilizing Lasso (least total shrinkage and choice administrator), one of the AI strategies. We utilized Deep Learning 's LSTM method, one of the field of AI for the expectation [5].

This paper shows an information driven choice emotionally supportive network to improve ESM tasks inside the IoT biological system. The proposed system is novel and productive, on the grounds that it empowers forecast choices about whether to send an expert to a client's site or resolve the case remotely, utilizing and looking at four changed AI procedures: full bayesian system, credulous bayes, choice tree and irregular timberland. The expectation and choice help depend on ESM correspondence quality and system inclusion information gathered from a business organize. Analyses performed on the dataset demonstrated the productivity and the viability of the proposed methodology. That irregular woods, among the different prescient models, is a significant strategy for the investigation of shrewd meter information for expansive datasets, with the most elevated precision of 96.69%, guaranteeing the most noteworthy operational reserve funds, trailed by NB, DT and BN individually. Conceivable augmentations of the ebb and flow work are (i) the incorporation of an extra diagnostic use case for ESM support, for example, foreseeing the answer for a client case, (ii) the speculation of the model, to address utilities' extra vertical tasks, for example, savvy meters for gas, water, and warmth, (iii) the investigation of huge information the executives stage by utilizing a Map Reduce-put together calculation with respect to vast Hadoop file system (HDFS) bunches, and joining with distributed data-parallelism (DDP) motors, for example, Hadoop for running the application in genuine circulated conditions to quicken enormous information pre-preparing realizing, when the system begins to scale and extensive datasets got from the different keen meters, and (iv) the development of the model to consider the regularity amid the ESM activities life-cycle, to possibly consider utilizing Dynamic Bayesian Network for the problem[6].

### III. Proposed Work

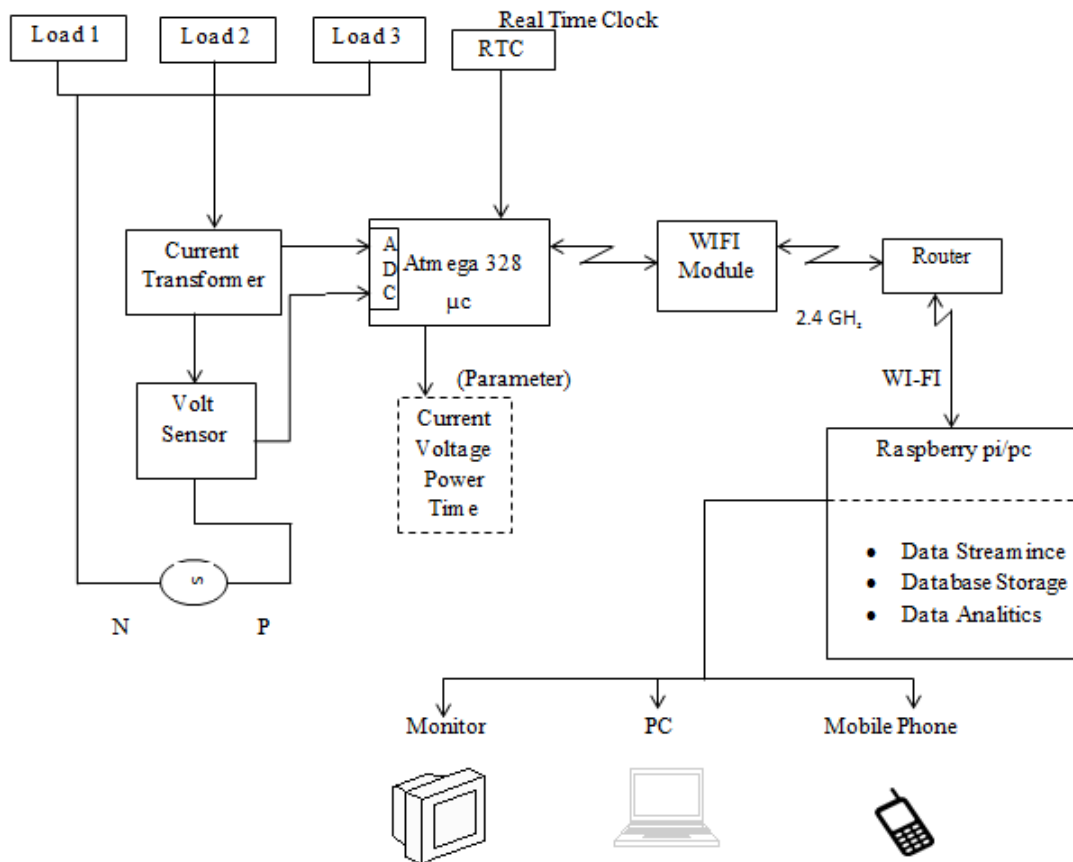


Fig. Block Diagram of System

Recognizable proof of an apparatus running inside the structure is the most troublesome undertaking. When the machine is recognized, the subsequent stage is to productively control and deal with the apparatuses so as to venture towards home computerization. A controlling module is created to fill the need that is associated with every machine autonomously. The heap is associated with the present transformer and voltage sensor is interfacing with the ADC and current, voltage, power and time they are the parameters. Wi-Fi switch through associate in switch with 2.4 GHz are exchange and get the information. Raspberry Pi and PC are getting the information spilling, information base stockpiling and information analogies. We can demonstrate the all information in screen, PC and cell phone. The screen is straightforwardly associated through PC or Raspberry Pi. However, the PC and cell phone can't associate in legitimately. We can give the connection of IP address and after that appeared in IP address. We can utilize the AI calculation. Likewise we can utilize the RTC (Real time clock). They check the information time. The AI calculation to discover the conduct of gadget. Non-intrusive load monitoring is a well ordered procedure that includes information procurement, occasion extraction, and occasion grouping/apparatus distinguishing proof.

#### Comparison & proposed Methodology

As per the reference paper [1] the experimental setup is done using the Raspberry Pi/Banana Pi Model B & Current sensor PZEM-004T which is non-invasive current sensor. The data is gathered serially on the Raspberry pi by using the wireless communication. In our case we are adding the modifications in the present system by updating the hardware and their working methodology. In our case we are taking the values of the current sensor (non-invasive) by interfacing on the common AC

terminal either Neutral or phase to get the analog values of current also we are going to use the PZEM-004t as Voltage sensor. The sensor data is then collected using the microcontroller Atmega328 by using their 10bit ADC channels and then the data will be migrated to the Raspberry Pi/Banana Pi. Here we are going to use Raspberry pi/Banana Pi as our local IoT cloud which will have the facility to store the data into the local database as well as visualize it using their visualization dashboard. The communication between microcontroller and then Raspberry pi/Banana Pi would be wireless which will help the setup to differentiate the hardware keeping at different locations. Very first we will collect all the data of load switching parameters on the Raspberry pi/Banana Pi and then we will use same dataset to train the ML model and once our model get trained we will be ready for the test set to check the accuracy. As ML contains various algorithms for the predictions hence after testing these algorithms we will be in the stage to differentiate those algorithms with result parameters.

#### **IV. Conclusion**

To meet the energy saving targets set by governments, it is vital to motivate average consumers to make energy saving decisions. Feedback for energy use has been found to be an effective way to decrease energy use. Therefore, a need for a cheap solution for a wide deployment of energy usage feedback systems in households exists. A prototype application for providing feedback about individual appliance use in real-time to consumers was presented. The system was tested in a real test environment and was observed to give accurate appliance use statistics on average. Events were correctly identified 96.1% of the time and the total energy estimate was within 11.3% of the real consumption. NILM provides a cost-effective solution for appliance identification and monitoring because of single point sensing. Besides steady-state features, transient parameters also provide sufficient information for the identification of appliances. AIMS identifies the electrical appliances using Raspberry Pi that features machine learning algorithm.

#### **References**

- [1]. Debayan Paul, Tanmay Chakraborty, Soumya Kanti Datta, Debolina Paul “IoT and Machine Learning Based Prediction of Smart Building Indoor Temperature” 2018 4th International Conference on Computer and Information Sciences (ICCOINS).
- [2]. Supriya S. Shinde, Mayura Kulkarni “Review paper on Prediction of Crop Disease Using IoT and Machine Learning” International Conference on Transforming Engineering Education 2017;14-16 Dec 2017.
- [3]. Purnendu Shekhar Pandey “Machine Learning and IoT for Prediction and Detection of Stress” ©2017 IEEE.
- [4]. Junmin Park, Hyunjae Park, Young-June Choi “Data Compression and Prediction Using Machine Learning for Industrial IoT” ©2018 IEEE ICOIN 2018.
- [5]. Kyoee-Rae Yeom, Hyo-Sub Choi “Prediction of Manufacturing Plant’s Electric Power Using Machine Learning” ©2018 IEEE ICUFN 2018.
- [6]. Joseph Siryani, Bereket Tanju, Timothy Eveleigh “A Machine Learning Decision-Support System Improves the Internet of Things’ Smart Meter Operations” 2327-4662 (c) 2017 IEEE.
- [7]. M Nasir, HA Khan, A Hussain, L Mateen, NA Zaffar, “Solar PV-Based Scalable DC Microgrid for Rural Electrification in Developing Regions,”IEEE Transactions on Sustainable Energy, 2017, pp. 390-399.
- [8]. Tawanna Dillahunt, Jennifer Mankoff, Eric Paulos, Susan Fussell, “It’s not all about “Green”: Energy use in low-income communities,”Proceedings of the 11th ACM International Conference on Ubiquitous Computing,2009, pp. 255-264.
- [9]. Allison Woodruff, Jay Hasbrouck, Sally Augustin, “A Bright Green Perspective on Sustainable Choices,”CHI ’08 Proceedings of the SIGCHI Conference on Human Factors in Computing Systems, 2008, pp. 313-322.
- [10]. M Nasir, HA Khan, “Solar photovoltaic integrated building scale hybrid AC/DC microgrid,”IET International Conference on Renewable Power Generation, 2016.
- [11]. S Sohaib, I Sarwar, MH Iftikhar, A Mahmood, “A Low Cost Smart Energy Monitoring and Control System for Smart Buildings,”IET International Conference on Renewable Power Generation, 2016.
- [12]. E.J. Aladesanmi, KA Folly, “Overview of non-intrusive load monitoring and identification techniques,”9th IFAC Symposium on Control of Power and Energy Systems, 2015, vol. 48, pp. 415-420.
- [13]. G. W. Hart, “Nonintrusive appliance load monitoring,” Proceedings of the IEEE, vol. 80, Dec 1992, pp. 1870-1891.

- [14]. Jian Liang, Simon K. K. Ng, Gail Kendall, John W. M. Cheng, "Load Signature StudyPart I: Basic Concept, Structure, and Methodology,"IEEE Transactions on Power Delivery, vol.25, April 2010, pp. 551-560.
- [15]. Nur Iksan, Jaka Sembiring, Nanang Haryanto, Suhono Harso Supangkat,"Appliances Identification Method of Non-Intrusive Load Monitoring based on Load Signature of V-I Trajectory," Information Technology Systems and Innovation, 2015, pp. 1-6